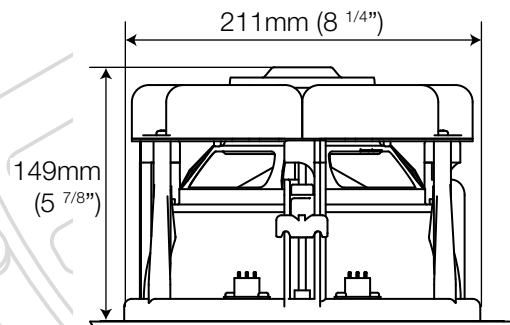


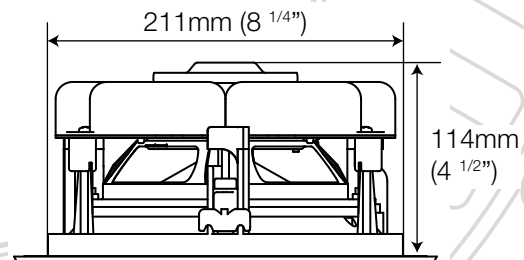


## CUSTOM INSTALLATION

Tri-Grip x 3  
= 5Kgf/cm; 4.34 lbf/inch; 0.5 NM



C265-IDC, C265-FX



C165, C165-T2, C265